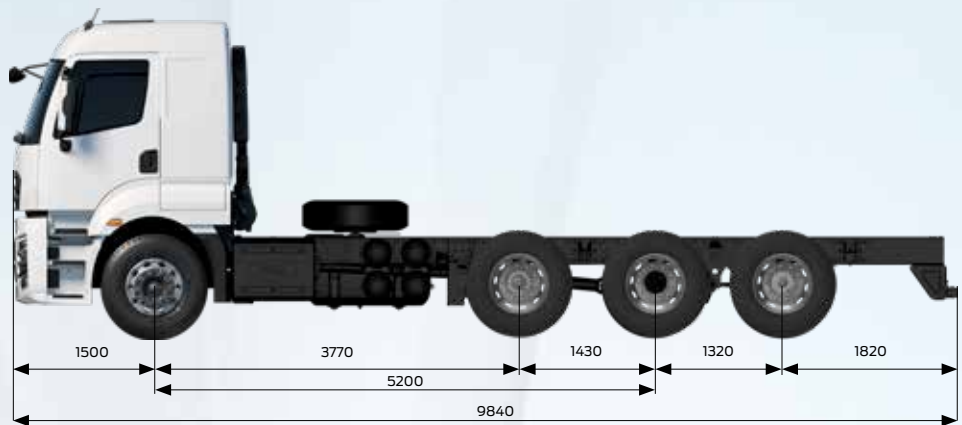


FORD TRUCKS 3242S HR EURO6



Basic Features

Vehicle Type	Road Truck
Axle	8x2
Emission	Euro 6
Cabin Type	High Roof Sleeper Cab
Wheelbase (mm)	5200

Engine

Type	Ecotorq 12,7 litre
Displacement (cc)	12740
Diameter x Stroke	130 mm x 160 mm
Power	420 PS (308,9 kW) / 1800 rpm
Torque	2150 Nm / 1000-1300 rpm
Compression Ratio	17 +/- 0,5 : 1
Oil Filling Volume	50 L
Coolant Volume	57 L (77 L with Retarder)

Transmission

Clutch	430 mm Single Disc
Automated Transmission / Ratios (1. gear - 16. gear)	Ecotorq 16S 2600 DD AMT (17,03 - 1,00)
Manuel Transmission / Ratios (1. gear - 16. gear)	ZF 16S 2530 (13,805-0,836)

Steering

Power assisted single circuit

Chassis

Chassis Thickness	7 mm with Reinforcement
Chassis Strength	355 MPa
Suspension (Front/Rear)	Parabolic Leaf Spring / Compensating Arm Mechanical Suspension
Axle	Standard Single Reduction
Axle Ratio	3,08
Tyres (Front/Rear)	315/80 R 22,5
Wheel Rim	22,5 x 9 Steel

Braking System

Brakes (Front/Rear) (Ø.mm x mm. Length)	430 x 45 Disc Brake
Braking System	Dual Brake Circuit - Air Processing Unit with Integrated Oil Separator and Heater
Engine Brake Power	max. 320 kW (Engine Level)
Retarder Power	max. 450 kW / continuous 160 kW

Electric System

Battery	225 Ah
Alternator / Starter Motor	130 A / 6,5 kW

Tanks

Fuel Tank	550 L Aluminium
SCR Tank	78 L



Sharing the load

Dimensions (mm)					
Front Overhang	1500				
Wheelbase	5200				
Overall Length	9840				
Distance Between 1 st and 2 nd Wheel Centers	3770				
Distance Between 2 nd and 3 th Wheel Centers	1430				
Distance Between 3 th and 4 th Wheel Centers	1320				
Overall Cab Length	2305				
Overall Vehicle Height	3368				
Overall Vehicle Width (Excluding Mirrors)	2540				
Chassis Width	866				
Rear Overhang	1820				
Useful Chassis Length	7200				
Chassis height-Front	1049				
Chassis height-Rear	1076				
Ground clearance-Front	305				
Ground clearance-Rear	240				
Turning Radius	10700				
Weights (kg)	1. Axle	2. Axle	3. Axle	4. Axle	Total
Technically Permissible Weights	7100	7100	12000	10400	33000
Kerb Weight	5507	1607	1926	1312	10350
Payload	1593	5493	10074	9088	22650
GVM (legal)	7100	7100	9500	8500	32000

STANDARD EQUIPMENT

- Air Conditioner
- Multimedia System with 9" Touch Screen & Navigation (Radio, Bluetooth, USB (A Type - C Type) , Apple CarPlay, Android Auto, Remote Control)
- Auxiliary Cabin Heater (Dry Type)
- 4 Points Independent Cab Suspension for Day Cab
- Automated Transmission (with Normal Mode, Power Mode, Rocking Mode)
- Cruise Control
- Engine Brake
- Disc Brake
- Differential Lock
- Electronic Brake System (EBS) and Anti-Lock Brake System (ABS)
- Hill Launch Assist
- Electrically Operated Windows
- Electrically Operated and Heated Side Mirrors
- Electrically Operated Headlight Leveling
- Rake and Reach Adjustable Steering Column
- Heated and Air Suspended Driver Seat
- Lumbar Support
- Manually Operated Sunroof
- Continuous Wear Sensor
- Immobilizer
- Home Safe Light
- Approach Light
- Front and Rear Fog Lamps
- Digital Tachograph
- Spare Wheel
- Tag Axle Lifting (Auto Drop Function)
- Front and Rear Vehicle Antiroll Bars
- Electronic Brake Force Control
- Medium Bumper
- DAB Radio**
- Advanced Driver-Assistance Systems (Cybersecurity Improvements, Rear View Camera, Moving-off Information System, Blind Spot Information System, Tire Pressure Monitoring System, Emergency Stop Signal, Alcohol Interlock Facilitation, Traffic Sign Recognition, Driver Alert System, Lane Keeping Alert, Pre-Collision Assist)
- Electronic Stability Control (ESP)

OPTIONAL EQUIPMENT

- Cold pack (Includes Dry Type Heater and 225 Ah Battery)
- Cold pack (Includes Wet Type Heater and 225 Ah Battery)
- Cold Pack (Includes Dry Type Heater, Wet Type Heater and 225 Ah Battery)
- Firefighter Pack
- Transmission Driven PTO Options & Interior Control Unit
- Engine Driven PTO & Interior Control Unit
- ADR Pack
- RCV Pack
- Cold Climate Pack
- Auxiliary Cabin Heater (Wet Type)
- Power Cab Tilting
- Metallic Paint / Special Colors
- RHS Free 5900 Wheelbase Option *
- Rain Sensor (Available with auto light sensor)
- Retarder
- Front Towing Hooks (Double Hook)
- Rear Towing Cross Member
- 8T Front Axle Technical Capacity
- Less Spare Tire
- Technology Pack (Auto High-Beam Headlamps, Pre-Collision Assist with Pedestrian Detection, Intelligent Adaptive Cruise Control with Stop&Go***)
- Twin PTO (high ratio) / Twin PTO (low ratio)***
- Roof Spoiler
- Led Headlamps

* Available with ADR and 250 L LHS Fuel Tank

**DAB Radio can be standard or optional according to the market.

***Only available with Automated Transmission.

This leaflet includes products designed for Ford vehicles. It provides information about the current technical specifications and the standard or optional accessories available as of the date it was issued. Features of standard and optional accessories of the vehicles may be changed from time to time. For this reason, please consult our Authorized Dealers to obtain updated and accurate information on the features of the vehicle you wish to buy. For the aforementioned reason, this leaflet does not constitute an assurance as to the specifications listed herein. The images used in this leaflet may be different from the vehicles on sale. The technical specifications provided herein are for standard vehicles. Selection of any optional accessories might cause differences from these specifications.